

BELRAY

MODEL 096

Selective Dental Radiography



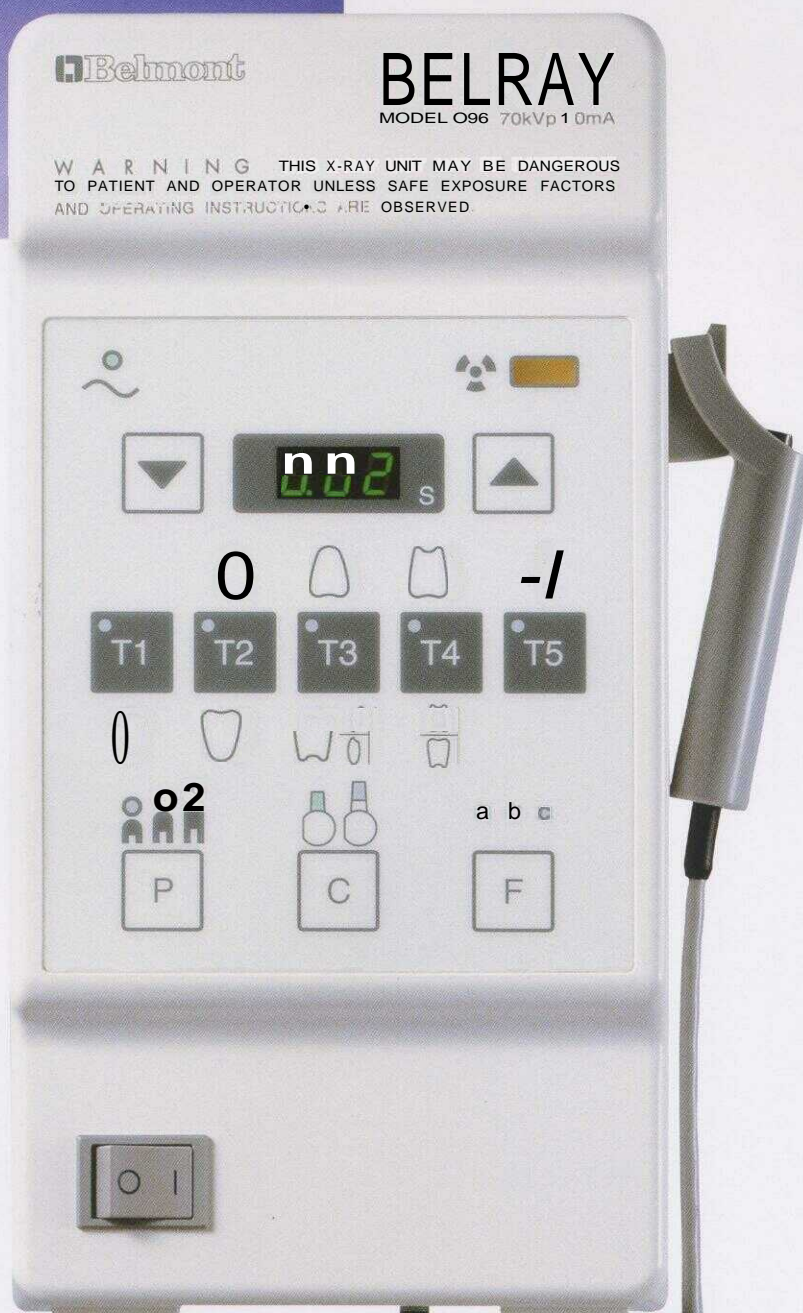
The Technique is Yours—The Technology is Belmont

 Belmont®

BELRAY

A Simple Selection of Technique Factors for Quality, High Contrast

1. Select Tooth Type
2. Select Patient Type
3. Take Exposure



Microprocessor selects the optimal exposure time based on patient and film type, cone length and tooth to be radiographed.

The manual mode will personalize the film density for you; there are a possible 58 density settings between 0.02 sec. and 3.0 sec.

AVR (Automatic Voltage Regulator) system by FET and microprocessor controlled tube current circuit generate constant and stabilized radiation.

The Control is mounted separately from the arm/head for in-room or remote mounting.

Film Speed Selection

3 film Speeds have been pre-selected for you

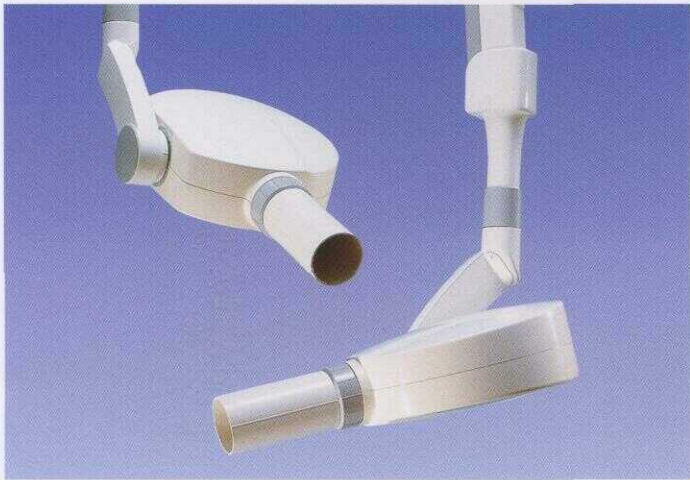
"a" ISO "D" Speed

"b" ISO "E" Speed

"c" ISO "F" Speed

A total of 16 film Speeds Are Available for the Three of Your Choice.

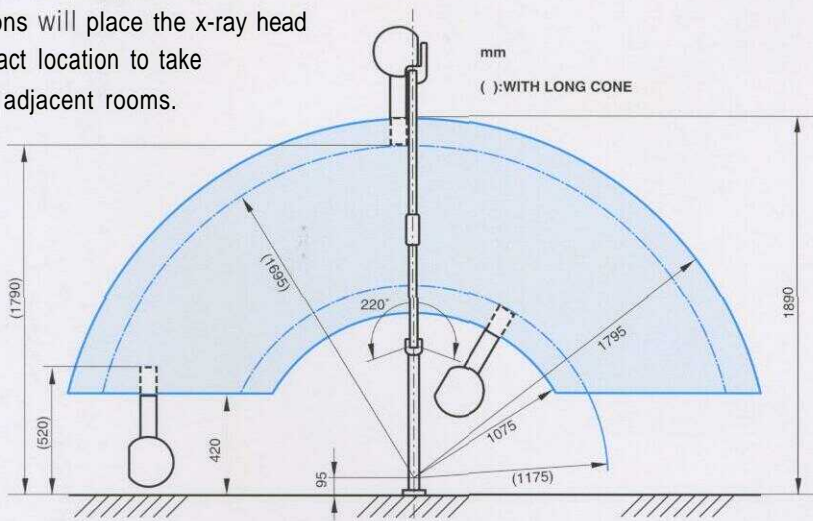
t Radiographs



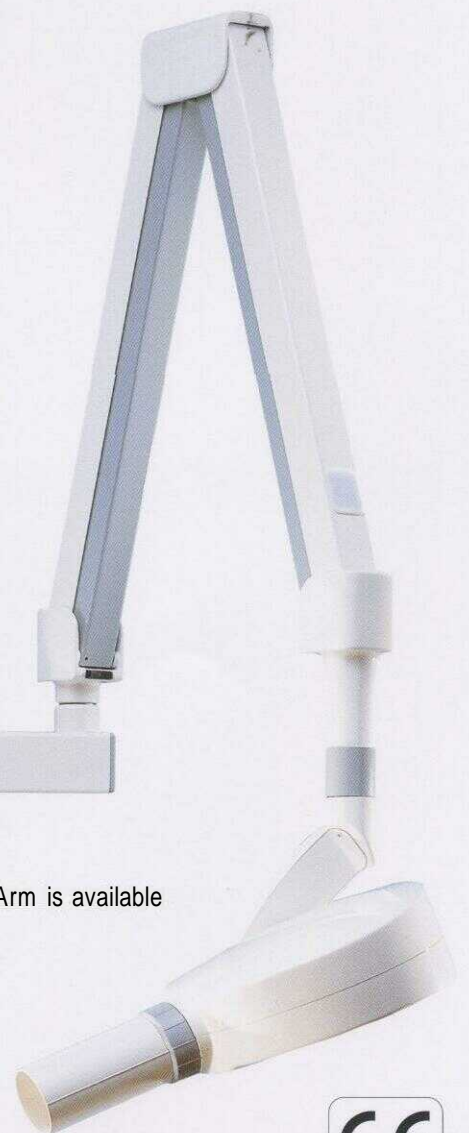
BELRAYprofile and line-of-sight accurate alignment results in reproducible, high contrast, crisp radiographs with excellent image quality. The optional long cone is used for the paralleling film technique.

BELRAY is compatible with most digital imaging radiographic systems; the exposure time can be set as low as 0.02 sec., the equivalent of 1 impulse.

Free-standing cabinetry mount installations will place the x-ray head in the exact location to take x-rays in adjacent rooms.



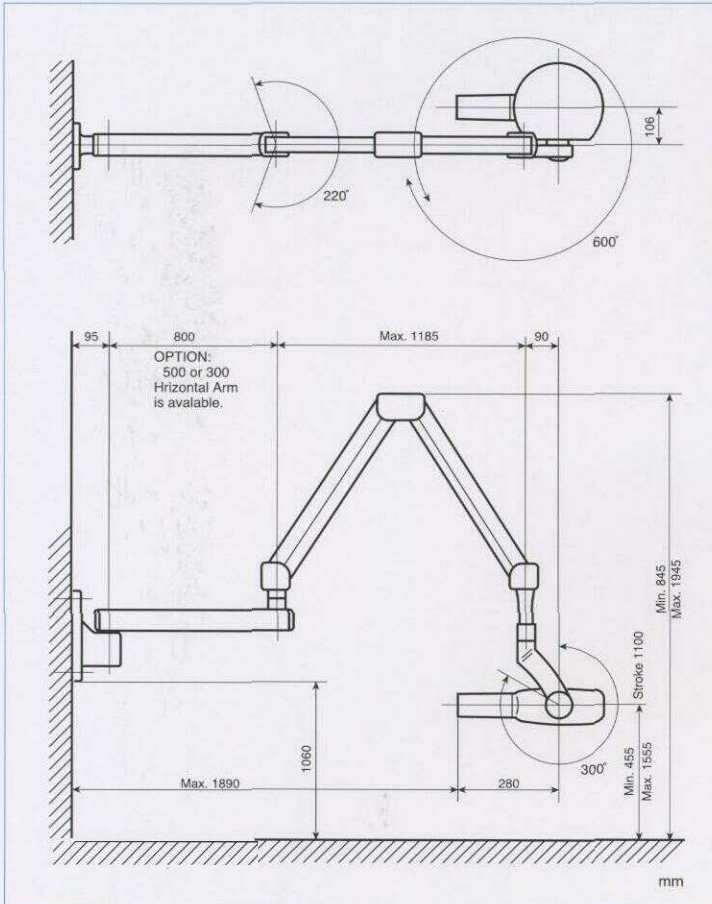
Standard 800 mm Horizontal Arm
Optional 500 mm or 300 mm Horizontal Arm is available



BELRAY

Intra-Oral X-Ray System

Dimensions

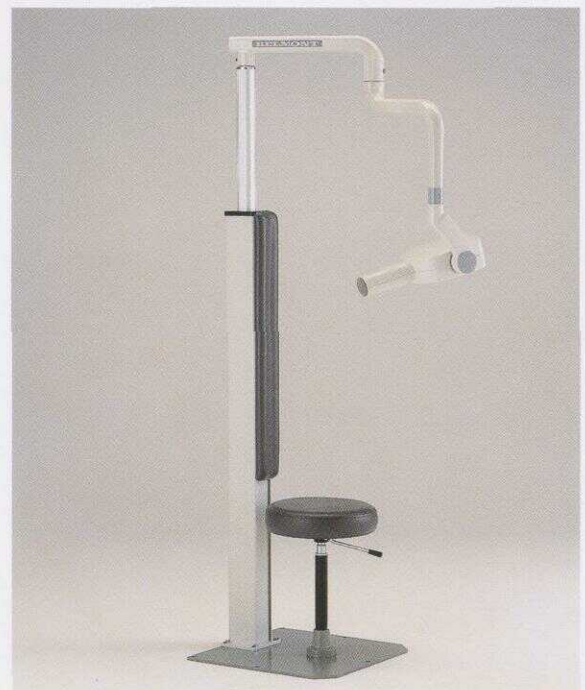


Technical Specifications

Diagnostic x-ray equipment for intraoral dental use

Model 096 BELRAY

Rated Peak Tube Potential	70 kVp
Rated Tube Current	10 mA
Focal Spot Measurement	0.8 × 0.8 mm
Rated Line Voltage	120, 220, 230 or 240 VAC
Line Voltage Range	± 10 % of Rated Line Voltage
Minimum Filtration in Useful Beam	2.1 mm Al Equivalent
Exposure Time	0.02 ~ 3.0 sec.
SSD With Regular Cone	204 mm
SSD With Long Cone (Optinal)	305 mm



096 BELRAY Room Type

Mobile Type (096 FM), Floor Mount Type (096 FK) & Ceiling Mount Type (096 CK) are also available.

Models, Prices, and Specifications are subject to change without notice.

Belmont®

Takara Belmont Corporation
OSAKA, JAPAN



Printed in Japan 2000.11 MA